

# **AW338A Datasheet**

**Zhuhai Jieli Technology Co.,LTD**

**Version 1.0**

**Date 2026.02.02**

**Copyright © Zhuhai Jieli Technology Co.,LTD. All rights reserved.**

## Revision History

Date	Revision	Author	Description
2026.02.02	V1.0	zh-jieli	Initial Release



# Table of Contents

<b>Revision History</b> .....	<b>1</b>
<b>Table of Contents</b> .....	<b>2</b>
<b>AW338A Features</b> .....	<b>3</b>
<b>1 Block Diagram</b> .....	<b>4</b>
<b>2 Pin Definition</b> .....	<b>5</b>
2.1 Pin Assignment .....	5
2.2 Pin Description .....	6
<b>3 Electrical Characteristics</b> .....	<b>7</b>
3.1 Absolute Maximum Ratings .....	7
3.2 ESD Ratings .....	7
3.3 PMU Characteristics .....	7
3.4 IO Characteristics .....	8
3.5 BT Characteristics .....	9
<b>4 Package Information</b> .....	<b>10</b>
4.1 SOP8_4.9×6mm .....	10
<b>5 IC Marking Information</b> .....	<b>11</b>
<b>6 Solder-Reflow Condition</b> .....	<b>12</b>

# AW338A Features

## SYSTEM

- 32bit CPU 160MHz
- Support MATH/AES128
- Support cache
- On-chip SRAM 56kbyte(share Cache 4k)
- Support MPU
- Support UDMA
- Built-In Flash
- 24MHz crystal oscillator
- Dedicated PLL
- Low jitter low power 32kHz RC oscillator

## Bluetooth

- BLE6.0(DN 332415)
- Support Channel Sounding PBR/RTT
- Support AoA Transmit
- Support long range BLE
- Support private 2.4G
- Maximum transmitting power 10dBm
- Transmit peak current 10mA @ 0dBm
- Receive peak current 10mA
- BLE ADV average current 14uA @ 2s
- BLE Connection average current 14uA @ 1s
- Receiver sensitivity
  - ❖ -97dBm @1M
  - ❖ -94dBm @2M
  - ❖ -99dBm @500K
  - ❖ -104dBm @125K

## Peripherals

- 1 x Full speed USB
- 1 x Lowerpower UART
- 4 x Multi-function 32bit timer
- 1 x Advance Multi-function 16bit timer
- 3 x UART interface
- 1 x IIC Master/Slave interface
- 2 x SPI Master/Slave interface
- 1 x QDEC
- 1 x RAND64
- 1 x 10bit ADC(3 Channels)
- 2 x GPIO Support function remapping
- 2 x Light strip controller

## PMU

- Support temperature sensor
- VPWR range 2.7V to 5.5V
- IOVDD range 1.8V to 3.6V
- Deep sleep mode (IOVDD @3.0V)
  - ❖ 200nA (IO wakeup)
  - ❖ 1.80uA (32kHz RTC+IO wakeup)
  - ❖ 5.31uA (32kHz RTC+IO wakeup+ 56kbyte retention SRAM)

## Packages

- SOP8(4.9mm\*6mm)

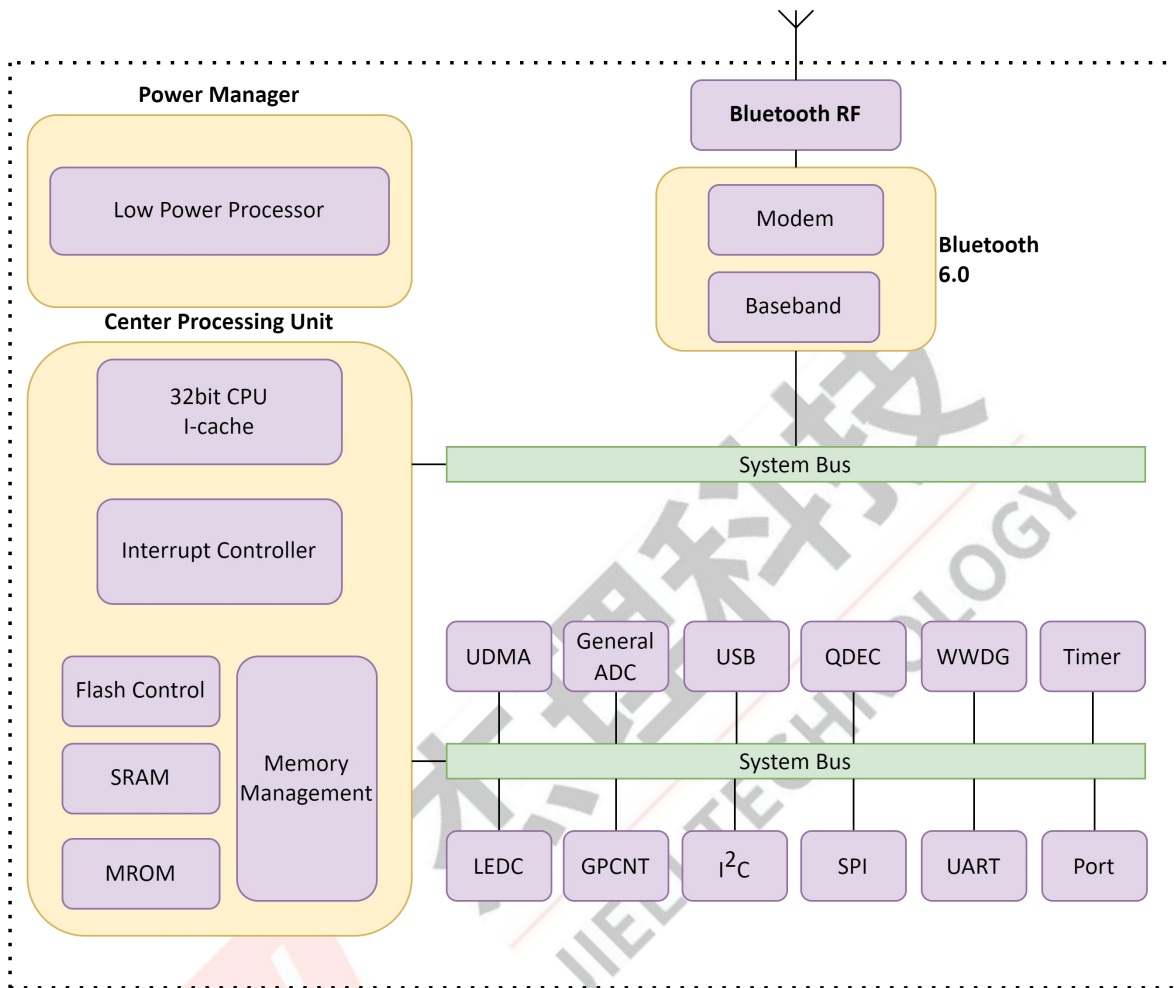
## Temperature

- Operating temperature
  - TC = -40°C to +85°C (standard range)
  - TC = -40°C to +105°C (extended range)
- Storage temperature -65°C to +150°C

## Applications

- Mouse device
- Non-audio remote control
- Selfie stick
- Page Turner
- Bluetooth module
- Anti-loss device
- Positioner
- Price tags and other diversified Internet of Things products
- Adaptive USB

# 1 Block Diagram



**Figure 1-1 AW338A Block Diagram**

## 2 Pin Definition

### 2.1 Pin Assignment

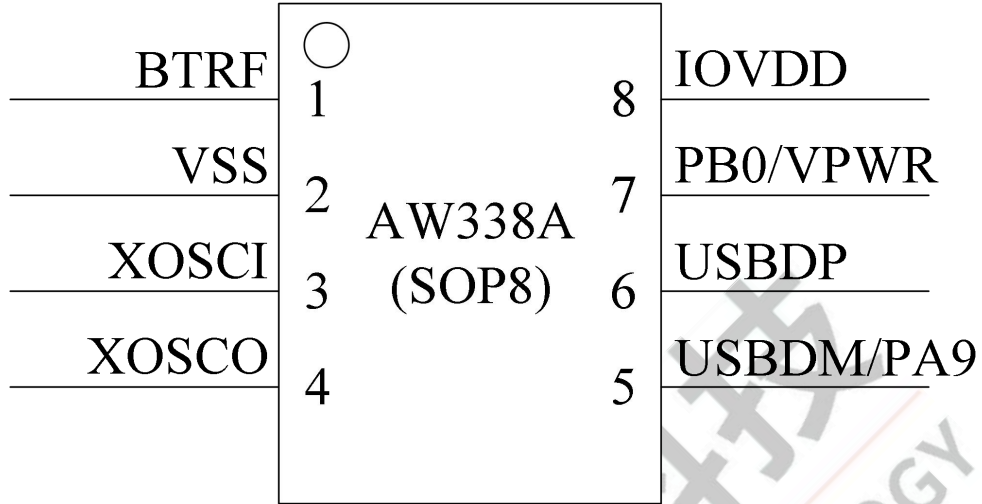


Figure 2-1 AW338A Pin Assignment

## 2.2 Pin Description

**Table 2-2-1 AW338A Pin Description**

Pin No.	Name	Type	IO Initial State	Description
1	BTRF	RF	--	Bluetooth RF Antenna
2	VSS	G	--	Ground
3	XOSCI	I	--	Crystal Oscillator Input
4	XOSCO	O	--	Crystal Oscillator Output
5	PA9	I/O	--	ADC9(ADC Input Channel 9)
	USBDM	I/O	15kΩ Pull-down	ADC15(ADC Input Channel 15)
6	USBDP	I/O	15kΩ Pull-down	ADC14(ADC Input Channel 14)
7	PB0	I/O	--	--
	VPWR	P	--	Charge Power Input
8	IOVDD	P	--	IO Power/Power Input/Power Output

**Note**

- 1.IO initial state abbreviations Z--High resistance, H--High level, L--Low level, X--May be changed during power on.
- 2.Timer, QDEC, UART, LEDC, IIC and SPI functions can be remapped to any I/O.

**Table 2-2-2 Pin Types Description**

Pin Type	Description	Pin Type	Description
P	Power	I/O	Input or Output
G	Ground	I	Input
RF	RF antenna	O	Output

### 3 Electrical Characteristics

#### 3.1 Absolute Maximum Ratings

**Table 3-1 Absolute Maximum Ratings**

Symbol	Parameter	Min	Max	Unit
T <sub>opt</sub>	Operating temperature	-40	+105	°C
T <sub>stg</sub>	Storage temperature	-65	+150	°C
VPWR	Supply Voltage	-0.3	6	V
IOVDD		-0.3	3.6	V
GPIO	Input voltage of GPIO (except PB0)	-0.3	3.6	V
HVTIO	Input voltage of HVT-IO (PB0)	-0.3	6	V

**Note**

1. Stresses beyond those listed under absolute maximum ratings may cause permanent damage to the device.

#### 3.2 ESD Ratings

**Table 3-2 ESD Ratings**

Parameter	Typ	Test pin	Reference standard
Human Body Mode	±4kV	All pins	JEDEC EIA/JESD22-A114
Machine Mode	±200V	All pins	JEDEC EIA/JESD22-A115
Charge Device Model	±2kV	All pins	ANSI/ESDA/JEDEC JS-002-2022

#### 3.3 PMU Characteristics

**Table 3-3-1 PMU Characteristics under VPWR supply**

Symbol	Parameter	Conditions	Min	Typ	Max	Unit
VPWR	Power supply	--	2.7	--	5.5	V
<b>Operating mode</b>						
Symbol	Parameter	Conditions	Min	Typ	Max	Unit
IOVDD	Voltage output	VPWR-IOVDD≥300mV	2.1	3.0	3.6	V
	Loading current	IOVDD=3.0V@VPWR = 3.7V	--	--	60	mA
<b>Low Power mode</b>						
Symbol	Parameter	Conditions	Min	Typ	Max	Unit
IOVDD	Loading current	IOVDD=3.0V@VPWR = 3.7V	--	--	8	mA

**Table 3-3-2 PMU Characteristics under IOVDD supply**

Symbol	Parameter	Conditions	Min	Typ	Max	Unit
IOVDD	Power supply	--	1.8	--	3.6	V

### 3.4 IO Characteristics

**Table 3-4 IO Characteristics**

Input Characteristics						
Symbol	Parameter	Conditions	IO	Min	Max	Unit
$V_{IL}$	Low-Level Input Voltage	IOVDD = 3.0V	PA9, PB0 USBDP USBDM	-0.3	1.0	V
$V_{IH}$	High-Level Input Voltage	IOVDD = 3.0V	PA9 USBDP USBDM	2.0	3.3	V
		IOVDD = 3.0V	PB0	2.0	5.5	V
Output Characteristics						
Symbol	Parameter	Conditions	IO	Typ	Unit	
$I_{OL}$	Output Current	IOVDD = 3.0V Voutput = 0.3V	PA9	1(HD=0) 4(HD=1) 8(HD=2) 32(HD=3)	mA	
	Output Current	IOVDD = 3.0V Voutput = 0.3V	PB0	1(HD=0) 4(HD=1) 8(HD=2) 9(HD=3)	mA	
	Output Current	IOVDD = 3.0V Voutput = 0.3V	USBDP USBDM	10	mA	
$I_{OH}$	Output Current	IOVDD = 3.0V Voutput = 2.7V	PA9	1(HD=0) 4(HD=1) 8(HD=2) 32(HD=3)	mA	
	Output Current	IOVDD = 3.0V Voutput = 2.7V	PB0	1(HD=0) 4(HD=1) 8(HD=2) 9(HD=3)	mA	
	Output Current	IOVDD = 3.0V Voutput = 2.7V	USBDP USBDM	10	mA	
Internal Resistance Characteristics						
Symbol	Parameter	Conditions	IO	Typ	Unit	
$R_{pu}$	Pull-up Resistance	IOVDD = 3.0V	PA9, PB0 USBDP USBDM	10k(PU=1) 200k(PU=2) 1M(PU=3)	$\Omega$	
$R_{pd}$	Pull-down Resistance	IOVDD = 3.0V	PA9, PB0 USBDP USBDM	10k(PD=1) 200k(PD=2) 1M(PD=3)	$\Omega$	

**Note**

 1. Internal pull-up/pull-down resistance accuracy  $\pm 20\%$

### 3.5 BT Characteristics

#### 3.5.1 Transmitter

Table 3-5-1 Transmitter characteristics

Parameter	Conditions	Min	Typ	Max	Unit
Maximum RF Transmit Power	BLE-1Mbps	--	10	--	dBm

#### 3.5.2 Receiver

Table 3-5-2 Receiver characteristics

Parameter	Conditions	Min	Typ	Max	Unit
Sensitivity	BLE-1Mbps	--	-97	--	dBm
	BLE-2Mbps	--	-94	--	dBm
	BLE-S2	--	-99	--	dBm
	BLE-S8	--	-104	--	dBm

## 4 Package Information

### 4.1 SOP8\_4.9×6mm

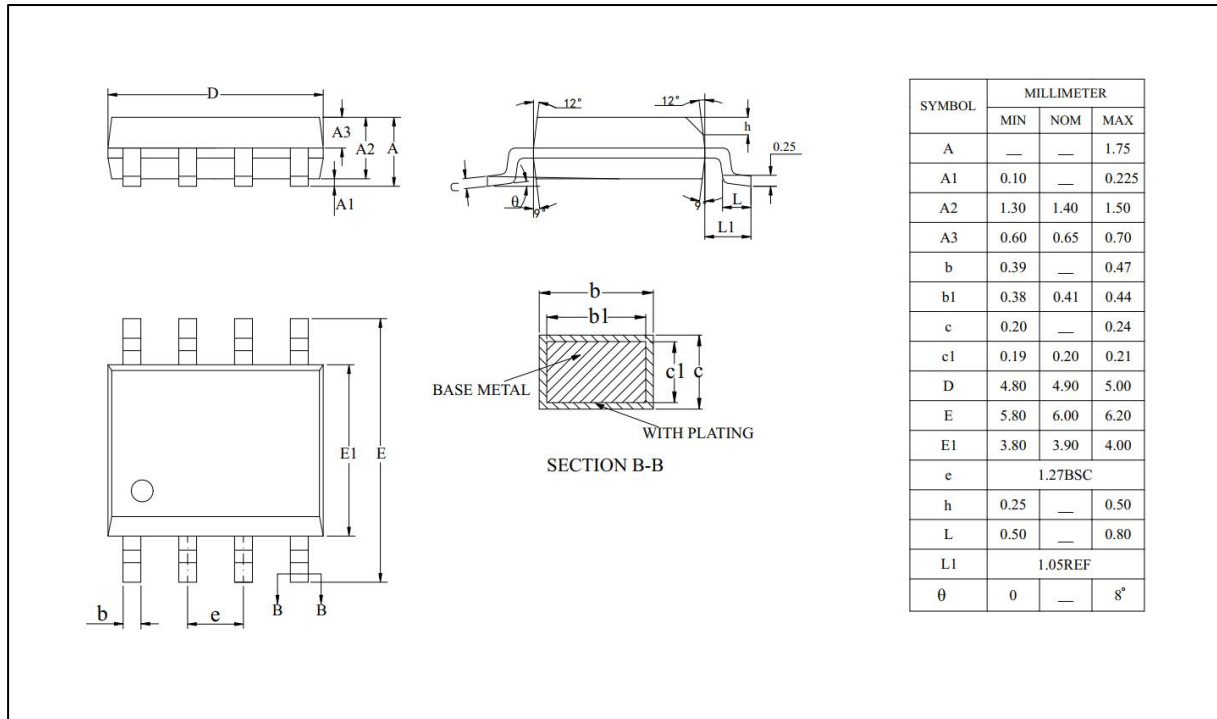


Figure 4-1 AW338A Package

## 5 IC Marking Information

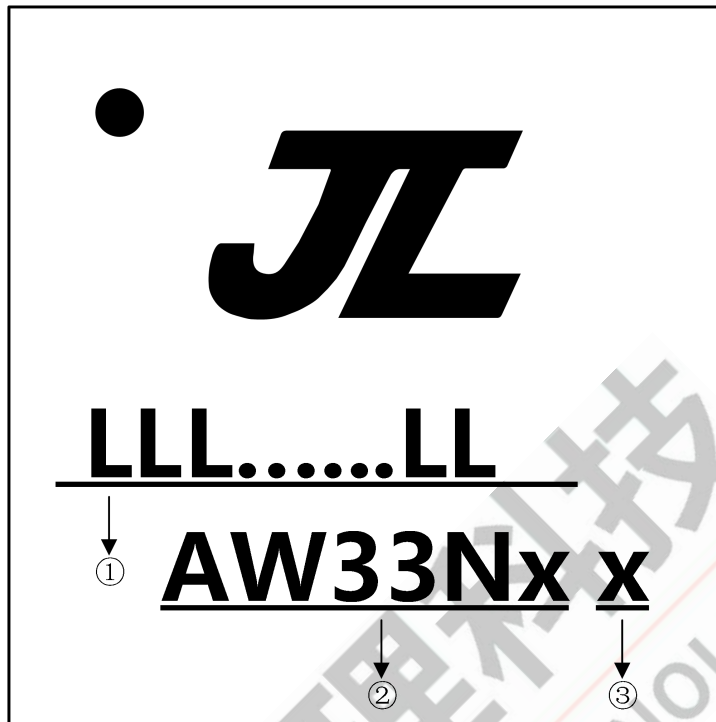


Figure 5-1 AW338A Package Outline

- ① LLL.....LL Production Batch
- ② AW33Nx Chip Model
- ③ x Built-in flash size  
2 2Mbit Flash  
4 4Mbit Flash

## 6 Solder-Reflow Condition

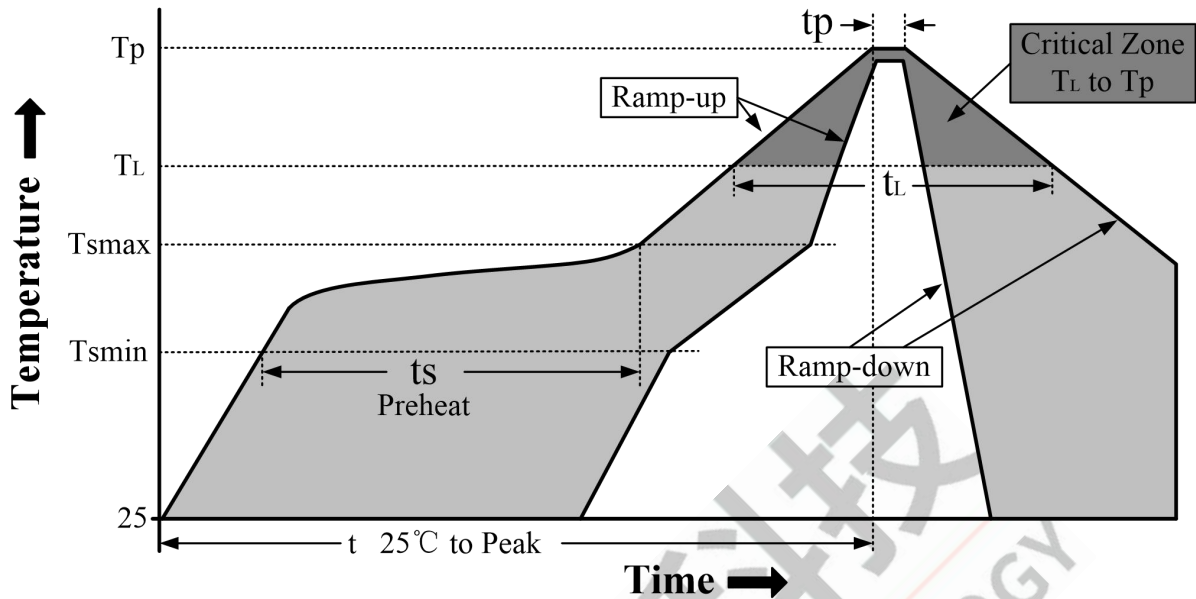


Figure 6-1 Classification Reflow Profile

Table 6-1 Classification Profiles

Profile Feature		Sn-Pb Eutectic Assembly	Pb-Free Assembly
Preheat/Soak	Temperature Min ( $T_{smin}$ )	100°C	150°C
	Temperature Max ( $T_{smax}$ )	150°C	200°C
	Time ( $t_s$ ) from ( $T_{smin}$ to $T_{smax}$ )	60-120 seconds	60-180 seconds
Average ramp-up rate ( $T_{smax}$ to $T_p$ )		3°C/second max	3°C/second max
Liquidous temperature ( $T_L$ )		183°C	217°C
Time ( $t_L$ ) maintained above $T_L$		60-150 seconds	60-150 seconds
Peak package body temperature ( $T_p$ )		See Table 6-2	See Table 6-3
Time within 5°C of actual Peak Temperature ( $t_p$ ) <sup>2</sup>		10-30 seconds	20-40 seconds
Ramp-down rate ( $T_p$ to $T_L$ )		6°C/second max	6°C/second max
Time 25°C to peak temperature		6 minutes max	8 minutes max

**Note**

- 1.All temperatures refer to topside of the package, measured on the package body surface
- 2.Time within 5°C of actual peak temperature ( $t_p$ ) specified for the reflow profiles is a “supplier” and “user” maximum.

Table 6-2 SnPb Classification Temperature

Package Thickness	Volume mm <sup>3</sup>	Volume mm <sup>3</sup>
	< 350	≥ 350
<2.5 mm	240 +0/-5°C	225 +0/-5°C
≥2.5 mm	225 +0/-5°C	225 +0/-5°C

**Table 6-3 Pb-free - Classification Temperature**

Package Thickness	Volume mm <sup>3</sup> < 350	Volume mm <sup>3</sup> 350 - 2000	Volume mm <sup>3</sup> > 2000
< 1.6mm	260°C	260°C	260°C
1.6 mm - 2.5mm	260°C	250°C	245°C
> 2.5mm	250°C	245°C	245°C

**Note**

1.\*Tolerance The device manufacturer/supplier shall assure process compatibility up to and including the stated classification temperature (this means Peak reflow temperature +0°C.For example 260°C+0°C)at the rated MSL level.